



**Ventilation Control Products**

**SHORT FORM CATALOGUE 2006**

Temperature

page 3 & 4



Liquid Warning

page 11



Humidity

page 5



Smoke Detection

page 12



Pressure

page 6 & 7



Thermostats

page 13



Air Quality

page 8



Zone Valves and Actuators

page 14 & 15



Carbon Dioxide (CO<sub>2</sub>)

page 9



Damper Actuators

page 16



Carbon Monoxide (CO)

page 10



Download Technical Datasheets on

[www.vcp.se](http://www.vcp.se)

Type no.	Description	Output	Range
----------	-------------	--------	-------

<b>RTF1 PT1000</b>	Room	PT1000	-30 to +90 °C
<b>RTF1 NTC 10K</b>	Room	NTC 10K	-30 to +90 °C
<b>RTM1-I TB2</b>	Room	4-20 mA	0 to +50 °C
<b>RTM1-U TB2</b>	Room	0-10 Vdc	0 to +50 °C


**RTF1 / RTM1**

<b>KTF1 PT1000 150</b>	Duct	PT1000	-30 to +150 °C
<b>KTF1 NTC 10K 150</b>	Duct	NTC 10K	-30 to +150 °C
<b>KTM1-I TB3 150</b>	Duct	4-20 mA	0 to +100 °C
<b>KTM1-U TB3 150</b>	Duct	0-10 Vdc	0 to +100 °C


**KTF1 / KTM1**

The duct sensors/transmitters are including mounting flange, probe length is 150mm as standard, also 50, 100, 200, 250, 300 and 400 mm probes available.

<b>ETF1 PT1000 150</b>	Immersion, brass	PT1000	-30 to +150 °C
<b>ETF1 NTC 10K 150</b>	Immersion, brass	NTC 10K	-30 to +150 °C
<b>ETM1-I TB3 150</b>	Immersion, brass	4-20 mA	0 to +100 °C
<b>ETM1-U TB3 150</b>	Immersion, brass	0-10 Vdc	0 to +100 °C


**ETF1 / ETM1  
ETF2 / ETM2**

<b>ETF2 PT1000 150</b>	Immersion, s/s	PT1000	-30 to +150 °C
<b>ETF2 NTC 10K 150</b>	Immersion, s/s	NTC 10K	-30 to +150 °C
<b>ETM2-I TB3 150</b>	Immersion, s/s	4-20 mA	0 to +100 °C
<b>ETM2-U TB3 150</b>	Immersion, s/s	0-10 Vdc	0 to +100 °C

The immersion sensors/transmitters are including immersion pocket, probe/pocket length is 150 mm as standard, also 50, 100, 200, 250, 300 and 400 mm probes/pockets available.

<b>ESTF PT1000 100P</b>	Immersion, PVC cable	PT1000	-35 to +105 °C
<b>ESTF NTC 10K 100P</b>	Immersion, PVC cable	NTC 10K	-35 to +105 °C

The immersion sensors with PVC cable 1.5 metres have stainless steel probe length 100 mm. 50 mm probe length available. Silicone cable available. Other cable lengths on request.


**ESTF**

<b>ALTF2 PT1000</b>	Strap-on, housing	PT1000	-30 to +110 °C
<b>ALTF2 NTC 10K</b>	Strap-on, housing	NTC 10K	-30 to +110 °C
<b>ALTM-I TB3</b>	Strap-on, housing	4-20 mA	0 to +100 °C
<b>ALTM-U TB3</b>	Strap-on, housing	0-10 Vdc	0 to +100 °C

Included 300 mm adjustable strap-on band, for pipe diameter 13 to 92 mm (1/4" to 3")


**ALTF2 / ALTM**

<b>ALTF1 PT1000</b>	Strap-on, cable	PT1000	-30 to +180 °C
<b>ALTF1 NTC 10K</b>	Strap-on, cable	NTC 10K	-30 to +150 °C

Included 300 mm adjustable strap-on band, for pipe diameter 13 to 92 mm (1/4" to 3"). Standard cable length 1.5 metres, other cable lengths on request.


**ALTF1**

<b>ATF1 PT1000</b>	Outdoor	PT1000	-50 to +90 °C
<b>ATF1 NTC 10K</b>	Outdoor	NTC 10K	-50 to +90 °C
<b>ATM2-I TB1</b>	Outdoor	4-20 mA	-50 to +50 °C
<b>ATM2-U TB1</b>	Outdoor	0-10 Vdc	-50 to +50 °C

Passive sensors ATF1-series with internal element (inside housing)  
Active transmitters ATM2-series with external element (inside probe)


**ATF1**

**ATM2**

PT1000 and NTC 10K are standard passive sensors, on request PT100, NI1000, PTC and other NTC sensors.

Above active temperature transmitters 4-20 mA and 0-10 Vdc are with the standard temperature ranges, other temperature ranges available up on request.



KTF1.5

**Features**

- Sensing elements
  - platinum PT1000 and thermistor NTC 10K
  - other sensing elements available up on request
- Simple 2-wire connection
- Economical way to measure temperature
- 150 mm probe length
  - other probe lengths available up on request
- Easy to fix penetration depth with mounting flange
- IP 54 protection
- Small housing, 33x53x27 mm
- M16 cable entry, including strain relief

Type no.	Description
KTF1.5 PT1000 150	Duct temperature sensor PT1000, 150 mm probe with IP 54 house.....
KTF1.5 NTC 10K 150	Duct temperature sensor NTC 10K, 150 mm probe with IP 54 house.....



TDSF

**Features**

- Sensing elements
  - platinum PT1000 and thermistor NTC 10K
  - other sensing elements available up on request
- Simple 2-wire connection
- Economical way to measure temperature
- 200 mm probe length
  - other probe lengths available up on request
- IP 56 protection
- 150 mm cable length with strain relief
  - other cable lengths available up on request
- Duct mounting flange

Type no.	Description
TDSF PT1000 200	Duct temperature sensor PT1000, 200 mm probe with 150 mm cable .....
TDSF NTC 10K 200	Duct temperature sensor NTC 10K, 200 mm probe with 150 mm cable .....



**Features**

- **Versions**  
Room, duct and outdoor
- **Outputs**  
Humidity 4-20 mA or 0-10 Vdc  
Humidity and temperature 4-20 mA or 0-10 Vdc  
Also passive (direct) temperature output available
- **Power supply**  
24 Vdc for 4-20 mA output  
24 Vac/dc for 0-10 Vdc output
- **Sensing ranges**  
Humidity 0 to 100% r.H.  
Temperature See below
- **Accuracy**  
Humidity +/- 3% (40 to 60%) @+20°C  
otherwise +/- 5%  
Temperature See data sheets

Type no.	Mounting	Humidity output	Temp. output	Humidity sensing range	Temp. sensing range
RFF-I	Room	4-20 mA	-----	0-100% r.H.	-----
RFF-U	Room	0-10 Vdc	-----	0-100% r.H.	-----
RFTF-I	Room	4-20 mA	4-20 mA	0-100% r.H.	0 to +50°C
RFTF-U	Room	0-10 Vdc	0-10 Vdc	0-100% r.H.	0 to +50°C
RFTF-U xxx	Room	0-10 Vdc	See below	0-100% r.H.	0 to +50°C
KFF-I	Duct	4-20 mA	-----	0-100% r.H.	-----
KFF-U	Duct	0-10 Vdc	-----	0-100% r.H.	-----
KFTF-I	Duct	4-20 mA	4-20 mA	0-100% r.H.	0 to +50°C
KFTF-U	Duct	0-10 Vdc	0-10 Vdc	0-100% r.H.	0 to +50°C
KFTF-U xxx	Duct	0-10 Vdc	See below	0-100% r.H.	-20 to +80°C
AFF-I	Outdoor	4-20 mA	-----	0-100% r.H.	-----
AFF-U	Outdoor	0-10 Vdc	-----	0-100% r.H.	-----
AFTF-I	Outdoor	4-20 mA	4-20 mA	0-100% r.H.	-20 to +80°C
AFTF-U	Outdoor	0-10 Vdc	0-10 Vdc	0-100% r.H.	-20 to +80°C
AFTF-U xxx	Outdoor	0-10 Vdc	See below	0-100% r.H.	-20 to +80°C

xxx = PT100, PT1000, NI1000, NTC 1.8K, NTC 10K, NTC 20K.  
The RFTF, KFTF and AFTF are available with passive temperature output (direct output).  
Ordering example: RFTF-U PT100.



930



DFK 200

**Features**

- On/off output
- Electrical rating 250 Vac
- 7 different pressure ranges from 20-200 Pa up to 1.000-4.000 Pa
- Switching pressure can easily be adjusted on a scaled adjustment knob
- Static, over, differential pressure and vacuum
- IP54 protection

**Can be delivered in 3 different alternatives**

1. Only the pressure switch
2. The pressure switch separately packed and the duct fixing kit separately packed.
3. The pressure switch and the duct fixing kit packed together in one carton.

Type no.	Adjustment pressure range	Switching differential	Output	Electrical rating
<b>Air differential pressure switch</b>				
930.80 222111	20–200 Pa	10 Pa	on/off	250 Vac .....
930.81 222111	40–100 Pa	20 Pa	on/off	250 Vac .....
930.82 222111	40– 200 Pa	20 Pa	on/off	250 Vac .....
930.83 222111	50– 500 Pa	20 Pa	on/off	250 Vac .....
930.85 222111	200–1.000 Pa	100 Pa	on/off	250 Vac .....
930.86 222111	500–2.500 Pa	150 Pa	on/off	250 Vac .....
930.87 222111	1000–4.000 Pa	250 Pa	on/off	250 Vac .....

**DFK 200** Duct fixing kit includes 2 plastic tubes with integrated mounting plate, 2 metres PVC hose and 4 screws

**Air differential pressure switch with duct fixing kit (DFK 200), packed together into a carton.**

930.80 222134	20–200 Pa	10 Pa	on/off	250 Vac .....
930.81 222134	40–100 Pa	20 Pa	on/off	250 Vac .....
930.82 222134	40– 200 Pa	20 Pa	on/off	250 Vac .....
930.83 222134	50– 500 Pa	20 Pa	on/off	250 Vac .....
930.85 222134	200–1.000 Pa	100 Pa	on/off	250 Vac .....
930.86 222134	500–2.500 Pa	150 Pa	on/off	250 Vac .....
930.87 222134	1000–4.000 Pa	250 Pa	on/off	250 Vac .....



984 without LED display



984 with LED display



984 are supplied with duct fixing kit packed together into one carton

### Features

- 0-10 Vdc output or 4-20 mA output
- Extra relay output (not 984.3x3204)
- With or without LED display
- Over, differential pressure and vacuum
- 2 adjoining pressure ranges in one unit, pressure ranges selectable via jumper
- Pressure ranges from 0-100 Pa up to 0-250 kPa
- Response time 100 ms and 1 s selectable via jumper

Type no.	Output	Pressure range 1	Pressure range 2	LED disp.	Switch. output	Power supply	Conn.
984.323104	0-10 Vdc	0 to 100 Pa	0 to 250 Pa	no	yes	24 Vac/dc	3-wire
984.333104	0-10 Vdc	0 to 250 Pa	0 to 500 Pa	no	yes	24 Vac/dc	3-wire
984.343104	0-10 Vdc	0 to 500 Pa	0 to 1.000 Pa	no	yes	24 Vac/dc	3-wire
984.353104	0-10 Vdc	0 to 1 kPa	0 to 2.5 kPa	no	yes	24 Vac/dc	3-wire
984.373104	0-10 Vdc	0 to 5 kPa	0 to 10 kPa	no	yes	24 Vac/dc	3-wire
984.393104	0-10 Vdc	0 to 25 kPa	0 to 50 kPa	no	yes	24 Vac/dc	3-wire
984.3B3104	0-10 Vdc	0 to 100 kPa	0 to 250 kPa	no	yes	24 Vac/dc	3-wire
984.323114	0-10 Vdc	0 to 100 Pa	0 to 250 Pa	yes	yes	24 Vac/dc	3-wire
984.333114	0-10 Vdc	0 to 250 Pa	0 to 500 Pa	yes	yes	24 Vac/dc	3-wire
984.343114	0-10 Vdc	0 to 500 Pa	0 to 1.000 Pa	yes	yes	24 Vac/dc	3-wire
984.353114	0-10 Vdc	0 to 1 kPa	0 to 2.5 kPa	yes	yes	24 Vac/dc	3-wire
984.373114	0-10 Vdc	0 to 5 kPa	0 to 10 kPa	yes	yes	24 Vac/dc	3-wire
984.393114	0-10 Vdc	0 to 25 kPa	0 to 50 kPa	yes	yes	24 Vac/dc	3-wire
984.3B3114	0-10 Vdc	0 to 100 kPa	0 to 250 kPa	yes	yes	24 Vac/dc	3-wire
984.323204	4-20 mA	0 to 100 Pa	0 to 250 Pa	no	no	24 Vdc	2-wire
984.333204	4-20 mA	0 to 250 Pa	0 to 500 Pa	no	no	24 Vdc	2-wire
984.343204	4-20 mA	0 to 500 Pa	0 to 1.000 Pa	no	no	24 Vdc	2-wire
984.353204	4-20 mA	0 to 1 kPa	0 to 2.5 kPa	no	no	24 Vdc	2-wire
984.373204	4-20 mA	0 to 5 kPa	0 to 10 kPa	no	no	24 Vdc	2-wire
984.393204	4-20 mA	0 to 25 kPa	0 to 50 kPa	no	no	24 Vdc	2-wire
984.3B3204	4-20 mA	0 to 100 kPa	0 to 250 kPa	no	no	24 Vdc	2-wire
984.323314	4-20 mA	0 to 100 Pa	0 to 250 Pa	yes	yes	24 Vac/dc	3-wire
984.333314	4-20 mA	0 to 250 Pa	0 to 500 Pa	yes	yes	24 Vac/dc	3-wire
984.343314	4-20 mA	0 to 500 Pa	0 to 1.000 Pa	yes	yes	24 Vac/dc	3-wire
984.353314	4-20 mA	0 to 1 kPa	0 to 2.5 kPa	yes	yes	24 Vac/dc	3-wire
984.373314	4-20 mA	0 to 5 kPa	0 to 10 kPa	yes	yes	24 Vac/dc	3-wire
984.393314	4-20 mA	0 to 25 kPa	0 to 50 kPa	yes	yes	24 Vac/dc	3-wire
984.3B3314	4-20 mA	0 to 100 kPa	0 to 250 kPa	yes	yes	24 Vac/dc	3-wire



RLQ



KLQ

**Features**

- Output 0-10 Vdc or 4-20 mA (jumper selectable)
  - As option also:
    - Switch output
    - LED-display (only room version)
    - Switch output and LED display (only room version)
- Power supply 24 Vac/dc
- Room, RLQ
  - Dimensions 79x81x26 mm
  - IP 30 protection
- Duct, KLQ
  - Including mounting flange
  - Easy to fix penetration dept with mounting flange
  - Probe length 190 mm
  - IP 65 protection
- Low cost air quality measurement
- Mixed gas sensor VOC  
VOC = Volatile Organic Compounds

**Applications**

- Office premises
- Airports
- Hotels
- Conference rooms
- Resturants
- Apartments
- Hospitals
- Schools
- Meeting rooms

**Detectable gases**

- |                                     |                       |
|-------------------------------------|-----------------------|
| • Cigarette smoke                   | • Hydrogen sulfide    |
| • Automobile exhaust                | • Isobutane           |
| • Breath air                        | • Methane             |
| • Carbon dioxide (CO <sub>2</sub> ) | • Methanol            |
| • Carbon monoxide (CO)              | • Methyl chloride     |
| • Solvent fumes                     | • Methylene chloride  |
| • Alcohol fumes                     | • Methy ether         |
| • Acetone                           | • Methyl acetate      |
| • Acrylonitrile                     | • Methyl ethyl ketone |
| • Ammonia                           | • n-Hexane 2          |
| • Benzene                           | • n-Petane            |
| • Chlorine                          | • Propane             |
| • Dimethyl amine                    | • R-11                |
| • Ethane                            | • R-12                |
| • Ethylene                          | • R-502               |
| • Ethylene oxide                    | • R-123               |
| • Formaldehyde                      | • Sulfur dioxide      |
| • Hydrogen                          | • Vinyl chloride      |

Type no.      Description

**Air quality transmitter for room mounting**

- RLQ            output 0-10 Vdc or 4-20 mA (jumper selectable) .....
- RLQ-S        same as RLQ and with switch output (normally open) .....
- RLQ -A       same as RLQ and and with 9 item LED display .....
- RLQ -AS      same as RLQ and with switch output and with 9 item LED display .....

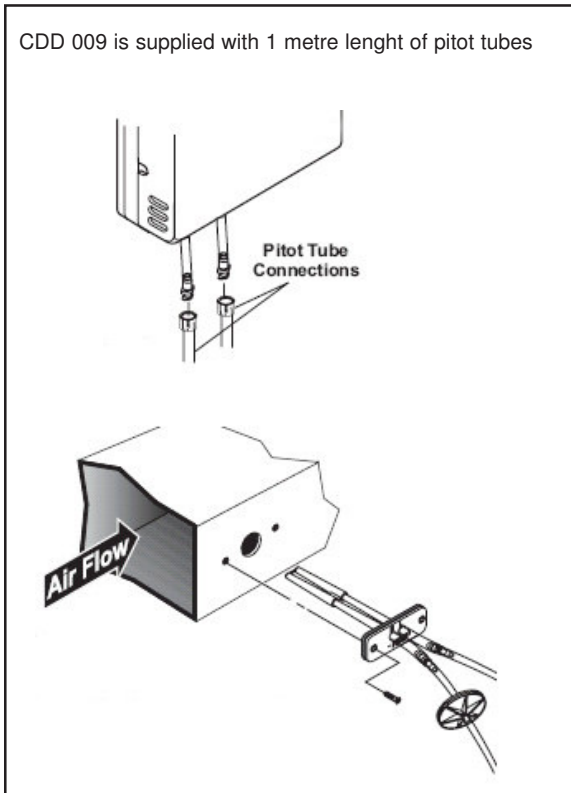
**Air quality transmitter for duct mounting**

- KLQ            output 0-10 Vdc or 4-20 mA (jumper selectable) .....
- KLQ-S        same as KLQ and with switch output (normally open) .....



**Features**

- Output 0-10 Vdc
- Power supply 24 Vac
- Measures 0-2.000 ppm
- Accuracy +/-50 ppm or 3% of reading
- No calibration required
- IP 20 protection
- CDR 003 for room
- CDD 009 for duct
  - to be surface or wall mounting
  - supplied with pitot tubes for duct connection



**Applications**

- Office premises
- Airports
- Hotels
- Conference rooms
- Restaurants
- Apartments
- Hospitals
- Schools
- Meeting rooms

Type no.	Description
<b>Carbon dioxide (CO<sub>2</sub>) transmitter</b>	
<b>CDR 003</b>	for room with 0-10 Vdc output .....
<b>CDD 009</b>	for duct with 0-10 Vdc output and with 1 metre pitot tubes .....



GWT CO

**Features**

- Output 4-20 mA
- Wide supply voltage range (10-35 Vdc)
- Several ranges from 0-50 ppm up to 0-2000 ppm
- Excellent long term stability
- Accuracy unaffected by position
- 3 years normal working life, sensor unit can easily be replaced at the end of it's working life

Designed for use in enclosed parking garages, loading docks, warehouses and other areas where toxic carbon monoxide (CO) fumes may build up

Type no.	ppm range	Output
GWT CO 050	0 - 50 ppm	4-20 mA .....
GWT CO 100	0 - 100 ppm	4-20 mA .....
GWT CO 200	0 - 200 ppm	4-20 mA .....
GWT CO 300	0 - 300 ppm	4-20 mA .....
GWT CO 500	0 - 500 ppm	4-20 mA .....
GWT CO 1000	0 - 1000 ppm	4-20 mA .....
GWT CO 2000	0 - 2000 ppm	4-20 mA .....

The recommended storage life is up to 6 months unpowered, GWT CO are manufactured after order and delivery time is normally 2-3 weeks.



CDE

**Features**

- Duct enclosure to built in GWT gas detector for sensing gas in duct
- Housing dimensions 180 x 110 x 90 mm
- Probe length 230 mm
- Probe diameter 30 mm
- The probe has 3 inlet holes and 3 outlet holes install probe with 3 inlet holes facing the airflow

Type no.	Description
CDE	Duct enclosure .....



**Features**

- Early detection = Early warning
- Detection of moisture and water

WWD, liquid warning detector

- **Mounting:**
  - On wall with the external alarm band WST
  - Direct on floor (WWD have 2 sensing pins under the unit)
- WWD senses the change in conductivity when moisture or water is in contact with the sensing pins and when moisture or water is in contact with the external alarm band WST
- Power supply 12 Vdc or 24 Vdc
- Relay output
- Buzzer (WWD 103)

WST, alarm band

- WST is made of stockinet-knitted polyester in which parallel uninsulated wires of soft annealed copper are woven
- Indicates presence of moisture or water between the wires
- The alarm band WST can be used with the liquid warning detector WWD
- WST are available in standard lengths (rolls) of 25, 50 and 100 metres, can also be supplied in other lengths if required
- Lengths of band can be connected by using connection sleeves and clamping tongs

**Applications**

- Computer flooring
- Record rooms
- Engineering rooms
- Operating rooms
- Compressor rooms
- Transforming stations
- District heating pipes
- District cooling pipes
- Insulated piping in district heating chambers
- Rock shelters
- Warehouses
- Or wherever there is a risk of moisture and water damage

Type no.	Description
WWD 102	Liquid warning detector 12/24 Vdc, relay output .....
WWD 103	Liquid warning detector 12/24 Vdc, relay output with buzzer .....
WST 25	A roll of 25 metres alarm band .....
WST 50	A roll of 50 metres alarm band .....
WST 100	A roll of 100 metres alarm band .....
WST	Alarm band per metre (if order other lengths than standard rolls) .....



VSD 301

**Features**

- IR-detection (obscuration)
- Outputs
 

Analogue	2-10 Vdc
Relay	SPDT 1A@24Vdc, 120 Vac
- Analogue output status levels
 

< 2 Vdc	Sensor fault
< 3-7 Vdc	Normal operation
< 7-9 Vdc	Optics require cleaning
> 9,5 Vdc	Smoke alarm
- The analogue output signal 2-10 Vdc can transmit smoke or service alarm (dirt level) to BEMS system
- Relay output for closing fan/damper motor
- Manual or auto reset
- Power supply 24 Vac/dc
- Standard probe lengths 300 mm and 600 mm
- LED bargraph display for indication of dirt level and service level (only VSD 302 and VSD 602)

Type no.	Description
VSD 301	Duct smoke detector, 300 mm probe length .....
VSD 601	Duct smoke detector, 600 mm probe length .....
VSD 302	Duct smoke detector, 300 mm probe length, with LED bargraph display .....
VSD 602	Duct smoke detector, 600 mm probe length, with LED bargraph display .....



MRT 1712U

**Features**

- Bi-metal sensing element
- Fan speed switch  
3 speed (HIGH-MED-LOW)
- 24 V and 220 V versions  
On/off,heat only or cool only, 2-pipe systems  
Heat-off-cool, 2-pipe systems  
Heat-off-cool, 4-pipe systems
- Setpoint knob with range +10 to +30°C
- Dimensions 87 x 87 x 37 mm

Type no.	Description
----------	-------------

**Mechanical room thermostat**

MRT 1711A	on/off, heat only or cool only, 2-pipe, 24V .....
MRT 1712A	heat-off-cool, 2-pipe, 24V .....
MRT 1712A	heat-off-cool, 2-pipe, 24V .....
MRT 1711U	on/off, heat only or cool only, 2-pipe, 220V .....
MRT 1712U	heat-off-cool, 2-pipe, 220V .....
MRT 1713U	heat-off-cool, 4-pipe, 220V .....
PIN 17	Set Point Limit Stop Pins (2 pcs) .....



MDH 512

**Features**

- Gas capsule sensing element
- Fan speed switch  
- 3 speed (HIGH-MED-LOW)
- HEAT-COOL system control  
- MDH 512 for 2-pipe system  
- MDH 514 for 4-pipe system
- ON/OFF switch  
- pushing "OFF" shuts off power program
- Electric rating 220 V
- Setpoint knob with range +10 to +30°C
- Dimensions 131 x 85 x 41 mm

Type no.	Description
----------	-------------

**Mechanical room thermostat**

MDH 512	heat-cool, on/off switch, 2-pipe, 220V .....
MDH 514	heat-cool, on/off switch, 4-pipe, 220V .....



**Features**

- PN 16 (16 bar)
- Up to +120°C
- Max differential pressure 2.5 bar
- 2 way, 3-way and 3-way with 4 port
- Sizes and kvs
  - DN 10 size with kvs 0.4, 0.63, 1.0 and 1.6
  - DN 15 size with kvs 2.5 and 4.0
  - DN 20 size with kvs 5.0
- Stroke 3.7 mm
- Threaded connection M30x1.5
- Valves are Normally Open

Type no.	Body	Size	Kvs straight	
VZH 210 04	2-way	DN10	0.4	.....
VZH 210 063	2-way	DN10	0.63	.....
VZH 210 10	2-way	DN10	1.0	.....
VZH 210 16	2-way	DN10	1.6	.....
VZH 215 25	2-way	DN15	2.5	.....
VZH 215 40	2-way	DN15	4.0	.....
VRU 220 50	2-way	DN20	5.0	.....
VZH 310 04	3-way	DN10	0.4	.....
VZH 310 063	3-way	DN10	0.63	.....
VZH 310 10	3-way	DN10	1.0	.....
VZH 310 16	3-way	DN10	1.6	.....
VZH 315 25	3-way	DN15	2.5	.....
VZH 315 40	3-way	DN15	4.0	.....
VZH 320 50	3-way	DN20	5.0	.....
VZH 410 04	3-way with 4 ports	DN10	0.4	.....
VZH 410 063	3-way with 4 ports	DN10	0.63	.....
VZH 410 10	3-way with 4 ports	DN10	1.0	.....
VZH 410 16	3-way with 4 ports	DN10	1.6	.....
VZH 415 25	3-way with 4 ports	DN15	2.5	.....
VZH 415 40	3-way with 4 ports	DN15	4.0	.....
VZH 420 50	3-way with 4 ports	DN20	5.0	.....



AZA

**Features**

- Control signal on/off or Pulse Width Modulation (PWM)
- Power supply
  - 24 Vac/dc or 230 Vac versions
- Normally Closed and Normally Open versions
- 4.0 mm stroke
- 3 minutes opening / closing time
- Force 100N
- All around function indicator
  - to indicate when valve is closed or open
- Adaption check
- 360 degrees installation position
- 1 metre cable



ZVA 50

- ZVA 50 valve adaptor to be used for  
AZA actuator with VZH valve
- Valve adaptor concept
  - different adaptors available to suit  
other valve brands on the market
- Valve adaptors can be used on new and existing valves



Actuators with 0-10 Vdc output available up on request

Type no.	Description	Power supply	Control signal	Version
AZA 4004	Actuator without valve adaptor	24 Vac/dc	on/off or PWM	Normally Closed
AZA 2004	Actuator without valve adaptor	230 Vac	on/off or PWM	Normally Closed
AZA 4104	Actuator without valve adaptor	24 Vac/dc	on/off or PWM	Normally Open
AZA 2104	Actuator without valve adaptor	230 Vac	on/off or PWM	Normally Open
ZVA 50	Valve adaptor for VZH valves .....			

For inquiries of adaptors for other valves; please specify the valve type(s).

Type no.	Torque	Control signal(s)	Power supply
----------	--------	-------------------	--------------

**5 Nm damper actuators for dampers up to approx. 1.0 m<sup>2</sup>**

DA5 24DT	5 Nm	On/off + 3-point	24 Vac/dc
DA5 230D	5 Nm	On/off	230 Vac
DA5 24M	5 Nm	2-10 Vdc	24 Vac/dc



DA5 / DA8-series

**8 Nm damper motors up to approx. 1.6 m<sup>2</sup>**

DA8 24DT	8 Nm	On/off + 3-point	24 Vac/dc
DA8 230D	8 Nm	On/off	230 Vac
DA8 24M	8 Nm	2-10 Vdc	24 Vac/dc



DA15-series

**15 Nm damper actuators for dampers up to approx. 3.0 m<sup>2</sup>**

DA15 24DT	15 Nm	On/off + 3-point	24 Vac/dc
DA15 24M	15 Nm	*2-10 Vdc	24 Vac/dc



DA20 / DA30-series

**20 Nm damper actuators for dampers up to approx. 4.0 m<sup>2</sup>**

DA20 24DT	20 Nm	On/off + 3-point	24 Vac/dc
DA20 24M	20 Nm	*2-10 Vdc	24 Vac/dc

**30 Nm damper actuators for dampers up to approx. 6.0 m<sup>2</sup>**

DA30 24DT	30 Nm	On/off + 3-point	24 Vac/dc
DA30 24M	30 Nm	*2-10 Vdc	24 Vac/dc

**5 Nm / 4 Nm\*\* spring return damper actuators for dampers up to approx. 1.0 m<sup>2</sup>**

DA5R 24D	5 Nm	On/off	24 Vac/dc
DA5R 24D S1	5 Nm	On/off	24 Vac/dc
DA5R 230D	5 Nm	On/off	230 Vac
DA5R 230D S1	5 Nm	On/off	230 Vac
DA5R 24M	5 Nm	2-10 Vdc	24 Vac/dc



DA5R-series

\*\* = Torques 5 Nm for actuator and 4 Nm for spring. S1 = 1 (one) auxiliary switch

**15 Nm spring return damper actuators for dampers up to approx. 3.0 m<sup>2</sup>**

DA15R 24D	15 Nm	On/off	24 Vac/dc
DA15R 24D S2	15 Nm	On/off	24 Vac/dc
DA15R 230D	15 Nm	On/off	230 Vac
DA15R 230D S2	15 Nm	On/off	230 Vac
DA15R 24M	15 Nm	2-10 Vdc	24 Vac/dc



DA15R-series

S2 = 2 (two) auxiliary switches

On request:

- Auxiliary switch(es)
- Potentiometer
- 3-point control signal on actuators with 230 Vac supply
- On/off control signal on 15, 20 and 30 Nm actuators with power supply 230 Vac.

\*DA15 24M, DA20 24M and DA30 24M have functional switches for selection of control signal and feedback signal.

Control signal: 0-10 Vdc, 2-10 Vdc, 0-20 mA and 4-20 mA  
Feedback signal: 0-10 Vdc, 2-10 Vdc, 10 Vdc and 15 Vdc

To get 4-20 mA control signal on DA5 24M and DA8 24M connect a 500 ohms resistor across the 2-10 Vdc control signal.

3-point is also named as:  
3-point control, 3-point floating  
Floating control and Tri-state.

DA5 24M and DA8 24M have feedback signal 2-10 Vdc

**Address etc.**

Ventilation Control Products  
is located on the swedish west coast in Göteborg.

Ventilation Control Products  
Sågmästaregatan 1D  
416 80 Göteborg  
Sweden

Phone: +46(0)31-811666  
Fax: +46(0)31-812766  
Web: www.vcp.se  
E-mail: info@vcp.se

**Strategy**

Ventilation Control Products (VCP) is a supplier of peripheral control products for building and industrial automation, main customers are HVAC contractors, OEM and distributors.

VCP delivers to customers world-wide.

Most products are compatible with various brands systems including well known Siemens Landis & Staefa, Invensys/Satchwell, Honeywell, Johnson Controls, TAC, Trend, Sauter, York, Danfoss, Alerton, Andover, Cylon etc.

VCP delivers quality products directly to customers world-wide without any exclusive agent partner.  
Without using exclusive agent partners, customers can buy products directly at lower cost.

We ship small, medium and large orders with suitable transport companies.  
We offer several different alternatives for shipping.  
Customers can also use their own shipping company.

Customers can order package-controls from one supplier (VCP), customers may also "cherry-pick" product(s) from VCP.

**Product Documentation**

Product documentation (datasheets) of VCP standard products are available in pdf-format to download on our web-site: [www.vcp.se](http://www.vcp.se).

Data sheets include product photo, features, description, applications, technical data, dimension drawing, electrical connection etc.

**Delivery Times**

Delivery-time is from stock up to approx. 5-6 weeks.

Delivery-time is depending on:  
product-type(s), quantities, other orders in process  
and holiday seasons.

You can ask for current delivery time.  
Specify: product type(s) and quantities.

**Shipping Alternatives**

We offer different shipping alternatives as parcel post, air parcel post, road freight, air freight, sea freight and courier.

Transportation alternative will be selected depending on: Destination, actual weight, volume weight, delivery-time, transit-time, payment-term and of course the shipping cost.

We try to select the lowest cost alternative for shipping to get the customers landed cost as low as possible.

Contact us for shipping alternatives and prices for your destination.

Customers may also use their own shipping company.

**Payment Terms**

Payment term is pre-payment before shipping.  
For higher amounts we may use Letter of Credit.

For non-standard products and non-frequent products we use pre-payment before processing the order.

**Delivery Terms**

Delivery term is initially Ex.works.

Transport cost is extra, without transport insurance, untaxed, duty unpaid.

VCP can put transport cost and transport insurance cost on the invoice to the customer.

**Ordering**

Orders can be placed by e-mail or fax.

When placing orders, please specify:

Invoice address.  
Delivery address (if other than invoice address).  
Your reference.  
Your VAT number (only required for EU-countries).  
Purchase order number (PO NO).  
Type number, description and quantities for each product.  
Required delivery-date.  
Transport company.

If you are using your own courier  
UPS, TNT, DHL, FEDEX or any other:  
Please advice your account number valid for import  
and type of service.  
For example:  
UPS Standard service, our import account number xxxx.

If you are using your own forwarder:  
Road (truck) freight, air freight or sea freight.  
Please advise forwarding company and phone number.

**Disclaimer**

We reserve our rights in this catalogue:  
For any printing error as prices, technical data etc.  
To change prices.  
To make changes in our products.